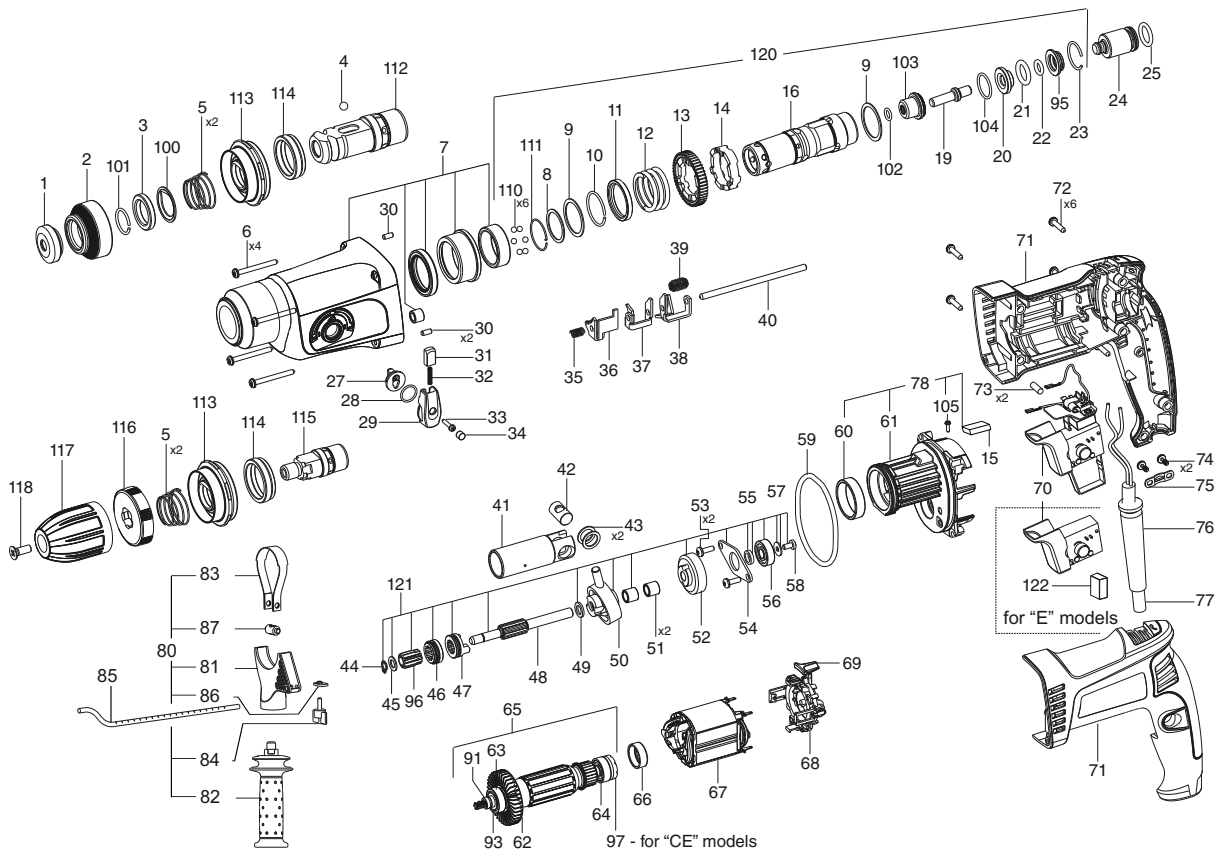


POS. No.	Ref.No.	Description	POS. No.	Ref.No.	Description
1	126964	Circlip	58	361358	Screw J2-M4x8-8.8
2	175384	Bush	59	331486	O-ring 68 x 4,5 NBR50
3	175385	Ring	60	175115	Bearing
4	330097	Pellet 6,747-100	61	175142	Bearing shield
5	148401	Conical spring	61*	175288	Bearing shield
6	361329	Screw K4x40 TORX 20	62	4931408165	Fan
7	175381	Gear box set PLASTIC	63	331625	Bearing 6000-2RS-P63 LDS 18Sp.A
8	175318	Washer	64	331210	Bearing 627 2RS P63LDS18SpA
9	126983	Spacer washer	65	175326	Armature set
10	175370	Circlip A 32x2	66	164934	Rubber bush
11	175283	Washer	67	175337	Stator set
12	175284	Spring	68	175332	Brush holder set
13	175281	Spindle gear	69	175258	Lever
14	175282	Profile washer	70	175260	Electronic block
15	175317	Gasket	71	175256	Casing set
16	175103	Spindle	72	361328	Screw K4x18 TORX 20
19	175287	Medial mandrel	73	175334	Claming pin
20	175396	Bush	74	361360	Screw K 4X9.5 TORX 20
21	331204	O-ring 16x4 - FPM70	75	256500	Cord clamp
22	331283	O-ring 9x3 - FPM70	76	120724	Cord protector
23	175117	Circlip B25 DIN7993	77	158877	Cord with a plug RAL 3020
24	175105	Piston	78	175143	Bearing shield set
25	331206	O-ring 15x3 - FPM85	78*	175315	Bearing shield set
27	175114	Switch knob	80	132167	Front handle set
28	330337	O-ring 13x1.5	81	132168	Console
29	175394	Knob NEW	82	146376	Handle AVR M8/L30
30*	115865	Pin	83	132173	Bracket
30	127034	Bush	84	175653	Butterfly bolt
31	175389	Fixing bit	85	151159	Depth gauge
32	175313	Spring	86	132174	Plate for limiter
33	361247	Screw K3x15 TORX 10	87	132175	Stretching plate
34	175308	Stoppole	91	173496	Oil - churning bush
35	126998	Spring	93	175314	Washer
36	151376	Locking panel	95	175108	Back catch sleeve
37	151375	Switching plate	96	175285	Spindle gear II for Gear shaft
38	151374	Switching plate	97	151205	Washer
39	151413	Spring	100	148432	Circlip SDS
40	175293	Axle	101	175395	Circlip A 21x2
41	175106	Cylinder	102	331594	O-ring
42	128408	Axle	103	175277	Bush
43	175311	Washer	104	330343	O-ring 21X2B
44	331376	Circlip B7-2BD	105	361131	Screw H2-M4x12
45	178241	Washer	110	330074	Pellet 5-200
46	151373	Bush	111	147520	Circlip
47	175123	Bush	112	175265	Spindle
48	175124	Gear shaft	113	175309	Bush SDS
49	175296	Washer	114	175266	Ring
50	175271	Rolling thrust bearing	115	175398	Adaptor
51	331368	Bearing K8x11x10	116	175399	Circlip
52	175310	Large intermediate gear	117	148015	Drill Chuck SG130
53	361132	Screw H1-M5X12	118	360582	Screw M6LHX30-8.8
54	175297	Bearing Cover	120	175111	Spindle set
55	175298	Space bush	121	175312	Gear shaft set
56	330288	Bearing 6082ZP6LDS18			
57	131199	Washer 4,2x12x1			

* - till 07.May.2015



143711

143718